



TRIPLE PLAY MOUND & HOME PLATE KIT

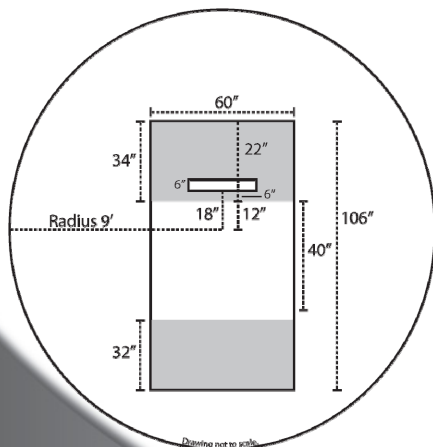
Triple Play Mound & Home Plate Kit™ is an all inclusive Mound and Home Plate repair and renovation package. It comes with enough unfired bricks, mound clay, and conditioner to do a full sized mound, both batters boxes, and your catcher's box.

Triple Play Mound & Home Plate Kit™ gives groundskeepers the durability that high maintenance areas require. Though it has been designed to meet performance standards of Professionals, Triple Play Mound Kits have products that will reduce maintenance for all levels of play. It is exceptional when used to repair, rebuild, and construct your field's pitcher's mound, batter's boxes, and catcher's box.

Gray Area - High Stress ONLY			# of Mound Clay Bags		
Area	Size	Bricks	2"	4"	6"
Table	34" x 60"	64	7.5	15	22.5
Landing Area	32" x 60"	60	7	14	21
Batter's Boxes	32" x 60"	120	14	28	42
Catcher's Box	32" x 48"	48	5.5	11	16.5
Total		292	34	68	102

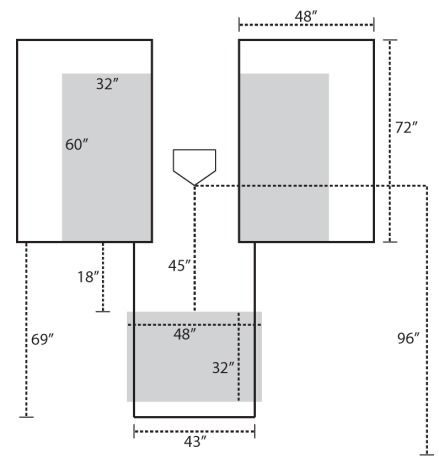
All quantities are approximate
 * Numbers of bricks and bags are for both boxes

Specifications:
 1 Bag = 4 sq. ft. x 1" deep
 1 Brick = 4" x 8" x 2.25"



Each Kit Includes:

- 275 Unfired Clay Bricks
- 10 Bags of Triple Play Mound Clay (50 lb Bags)
- 10 Bags of Triple Play Red In-field Conditioner (50 lb Bags)
- Total weight : 2800 lbs



ENVIROTECH SOIL SOLUTIONS, INC.

TF 800.546.3722 | FX 503.723.9715

GSERRILL@AXISPLAYBALL.COM | WWW.AXISPLAYBALL.COM

EnviroTech
Soil Solutions, Inc.